

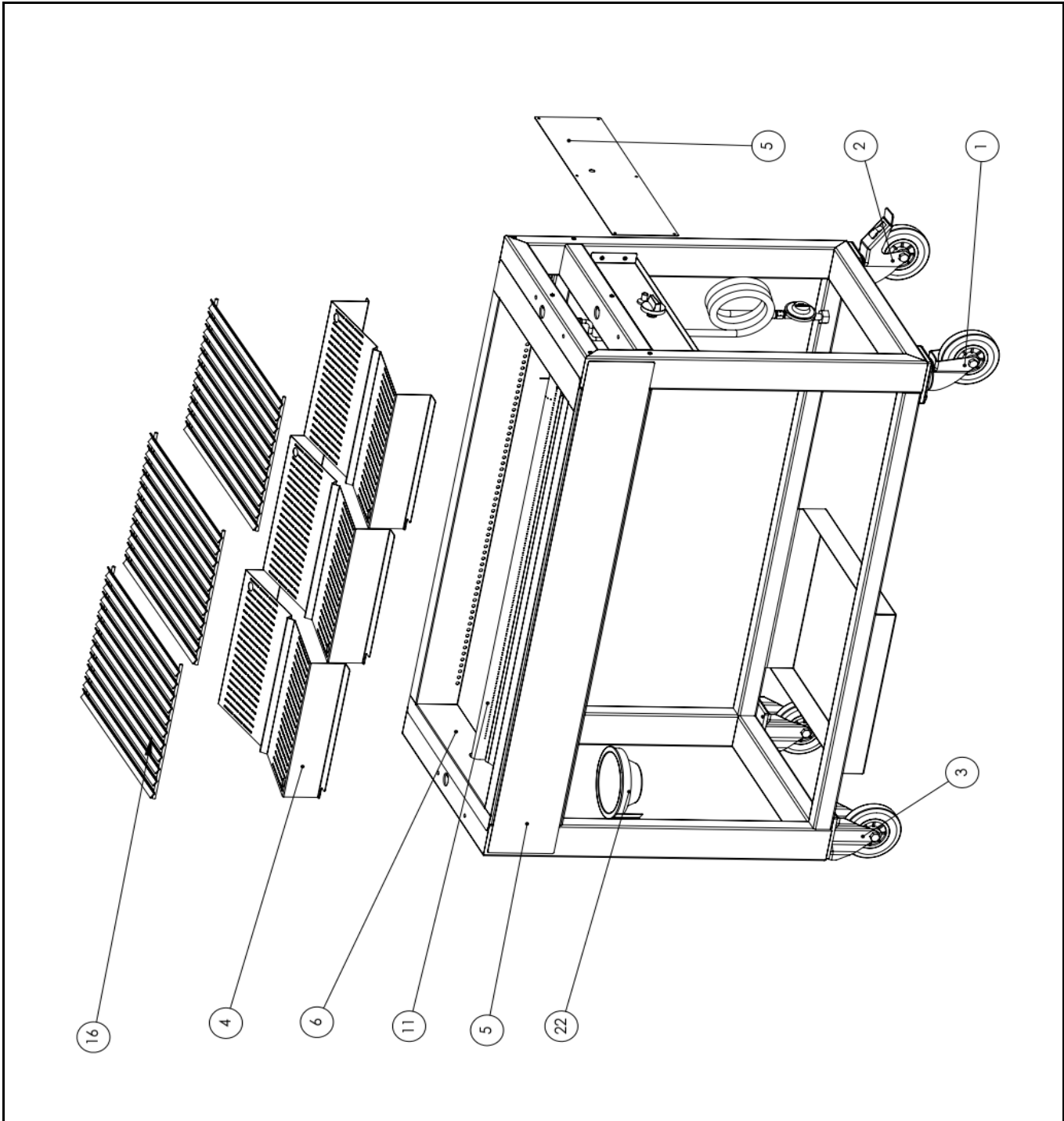
Drawing




GRAFEN
FUTURE EQUIPMENT

Batch #	Appliance part#
160000 and up	700044
Description	
Inferno	

Date	20-06-2017	Revision #	Revision version
Revision	First bill of materials (BOM)		



Bill of materials (BOM)

	Batch #	Appliance part#
	160000 and up	700044
	Description	
Inferno		

Date	20-06-2017	Revision #	Revision version
Revision	First bill of materials (BOM)		

Item	Description	Part#	Quantity	Remark	Picture
1	Swivel wheel Ø125	937594	1		
2	Swivel wheel with brake Ø125	937600	1		
3	Fixed wheel Ø125	937587	2		
4	Flame diffuser	937624	3		
5	Frame	n/a	1		
6	Inner frame	937860	1		
11	Burner	937631	1		
16	Grid	937617	3		
22	Drip tray incl bracket	937570	1		

n/a -> not available

nss -> not sold separately

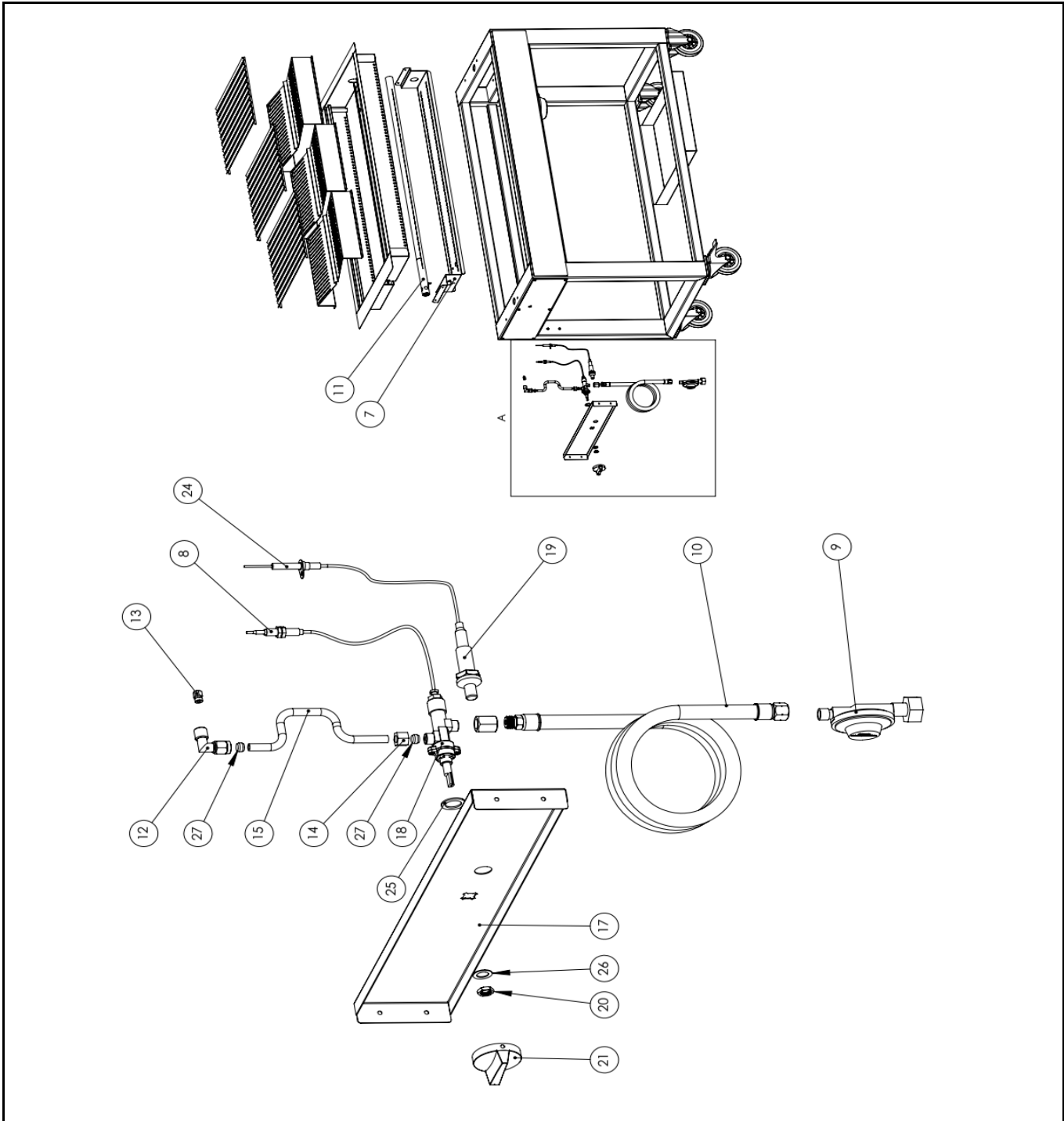
Drawing




GRAFEN
FUTURE EQUIPMENT

Batch #	Appliance part#
160000 and up	700044
Description	
Inferno	

Date	20-06-2017	Revision #	Revision version
Revision	First bill of materials (BOM)		



Bill of materials (BOM)

 <div style="font-size: 2em; font-weight: bold; margin-top: 5px;">GRAFEN</div> <div style="font-weight: normal; margin-top: 5px;">FUTURE EQUIPMENT</div>	Batch #	Appliance part#
	160000 and up	700044
	Description	
Inferno		

Date	20-06-2017	Revision #	Revision version
Revision	First bill of materials (BOM)		

Item	Description	Part#	Quantity	Remark	Picture
7	Holder burner / thermocouple	n/a	1		
8	Thermocouple	152195	1	(220mm)	
9	Regulator 50mBar	152157	1		
10	Gas hose assembly	147139	1		
11	Burner	937631	1		
12	Elbow	n/a	1		
13	Injector (0.80mm)	937464	1		
14	Packing nut M12x1	937495	1		
15	Gas tube	n/a	1		
17	Control panel	n/a	1		
18	Gasvalve	935293	1	Incl item 20	
19	Piezo igniter incl nut	153178	1		
20	Nut M12x1	nss	1	Available as 935293	
21	Knob	145692	1		
23	Connector 1/4"	937297	1		
24	Electrode with wiring 140mm	933268	1		
25	Washer 25x17x1.5	937280	1		
26	Washer 20x12.5x1	937563	1		
27	Cutting ring 8mm	937761	1		

n/a -> not available

nss -> not sold separately