

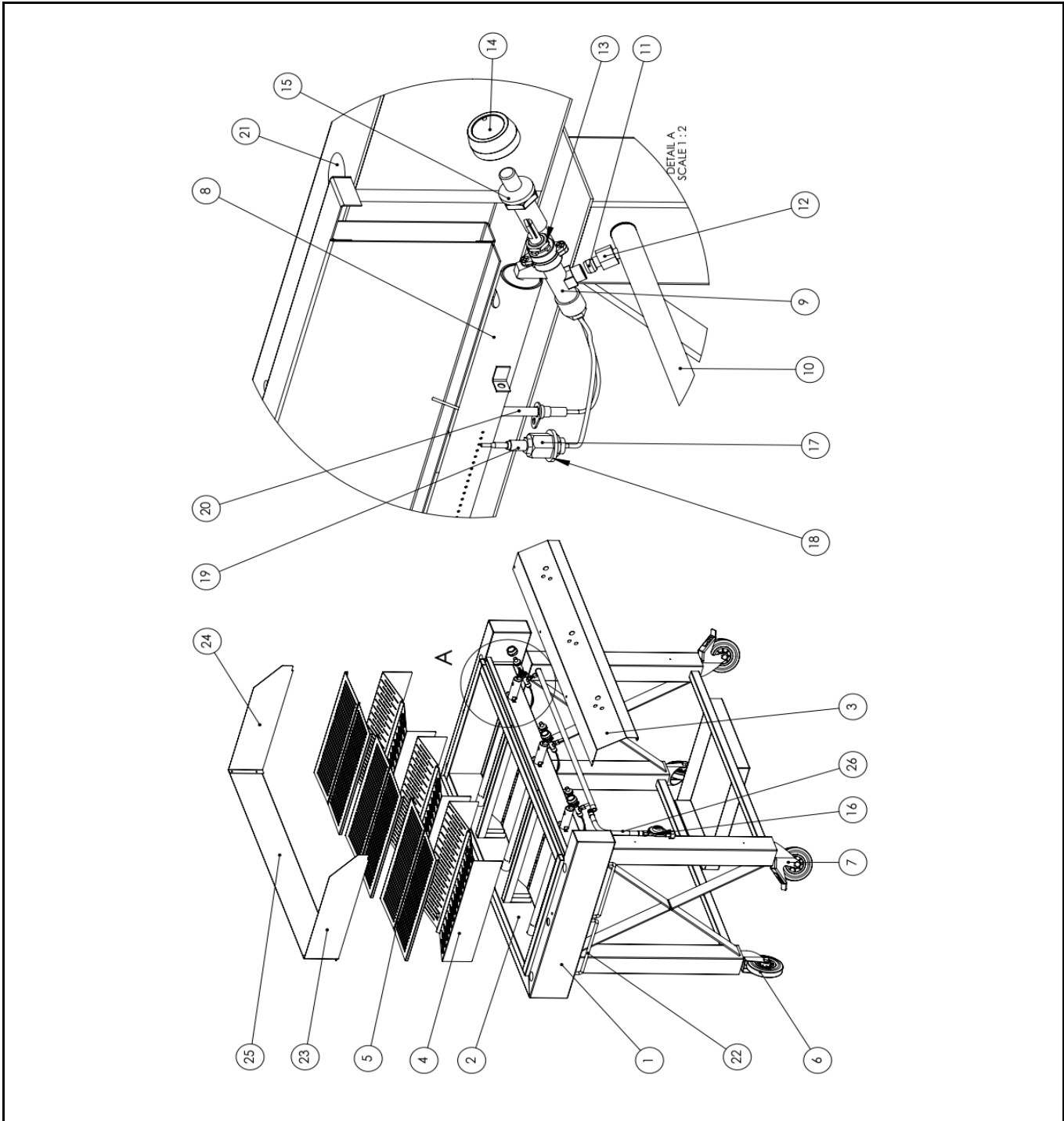
Drawing




**GRAFEN**  
FUTURE EQUIPMENT

<b>Batch #</b>	<b>Appliance part#</b>
160000 and up	700105
<b>Description</b>	
Atlanta	

<b>Date</b>	20-06-2017	<b>Revision #</b>	Revision version
<b>Revision</b>	First bill of materials (BOM)		



### Bill of materials (BOM)

	<b>Batch #</b>	<b>Appliance part#</b>
	160000 and up	700105
	<b>Description</b>	
Atlanta		

<b>Date</b>	20-06-2017	<b>Revision #</b>	Revision version
<b>Revision</b>	First bill of materials (BOM)		

Item	Description	Part#	Quantity	Remark	Picture
1	Frame	n/a	1		
2	Inner frame	937877	1		
3	Control panel	n/a	1		
4	Flame diffuser	937167	3		
5	Grid	937150	3		
6	Swivel wheel Ø125	937822	2		
7	Swifel wheel with brake Ø125	937839	2		
8	Burner	937143	3		
9	Gas valve	145685	3		
10	Inlet pipe	n/a	1		
11	Cutting ring 8mm	937761	3		
12	Packing nut M12x1	937495	3		
13	Nut M12x1	nss	6	Available as 145685	
14	Knob	152591	3		
15	Piezo igniter incl nut	153178	3		
16	Regulator 50mBar	152157	1		
17	Holder thermocouple	937174	3		
18	Washer M12x24x2.5	n/a	3		
19	Thermocouple 220mm	152195	3		
20	Electrode with wiring 190mm	145654	3		
21	Insert 35mm plastic	n/a	4		
22	Handle	n/a	2		
23	Windscreen panel (left side)	nss	1	Available as 700242	
24	Windscreen panel (right side)	nss	1	Available as 700242	
25	Windscreen panel (back side)	700242	1	Incl item 23 and 24	
26	Gas hose assembly	147139	1		

n/a -> not available

nss -> not sold separately