

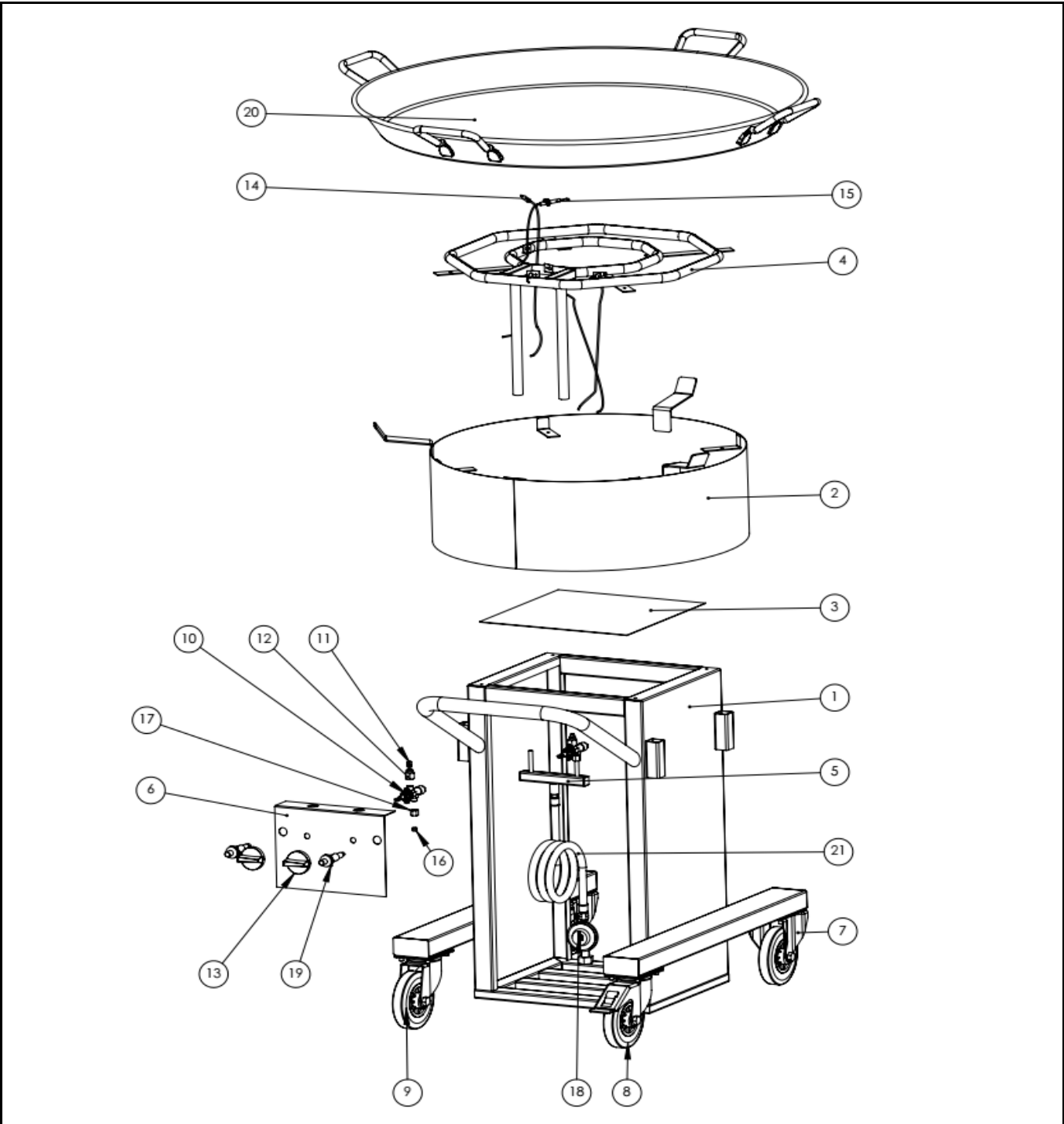
Drawing




**GRAFEN**  
FUTURE EQUIPMENT

Batch #	Appliance part#
160000 and up	700150
Description	
Rondo Grande	

Date	20-06-2017	Revision #	Revision version
Revision	First bill of materials (BOM)		



### Bill of materials (BOM)

 <div style="font-size: 2em; font-weight: bold; margin-top: 5px;">GRAFEN</div> <div style="font-weight: normal; margin-top: 5px;">FUTURE EQUIPMENT</div>	<b>Batch #</b>	<b>Appliance part#</b>
	160000 and up	700150
	<b>Description</b>	
<b>Rondo Grande</b>		

<b>Date</b>	20-06-2017	<b>Revision #</b>	Revision version
<b>Revision</b>	First bill of materials (BOM)		

Item	Description	Part#	Quantity	Remark	Picture
1	Frame	n/a	1		
2	Heat shield / holder paella pan	n/a	1		
3	Heat shield	n/a	1		
4	Burner	937884	1		
5	Inlet pipe	n/a	1		
6	Control panel	n/a	1		
7	Fixed wheel Ø125	937587	2		
8	Swivel wheel with brake Ø125	937600	1		
9	Swivel wheel Ø125	937594	1		
10	Gas valve	935293	2		
11	Injector (0.40mm)	937853	2		
12	Nozzle holder	n/a	2		
13	Knob	145692	2		
14	Thermocouple 1000mm	149034	2		
15	Electrode with wiring 700mm	149041	2		
16	Cutting ring 8mm	937761	2		
17	Packing nut M12x1	937495	2		
18	Regulator 50mBar	152157	1		
19	Piezo igniter incl nut	153178	2		
20	Paella pan 900mm	622650	1		
21	Gas hose assembly	147139	1		

n/a -> not available

nss -> not sold separately