

Drawing



GRAFEN
FUTURE EQUIPMENT

Batch #

160000 and up

Appliance part#

700167

Description

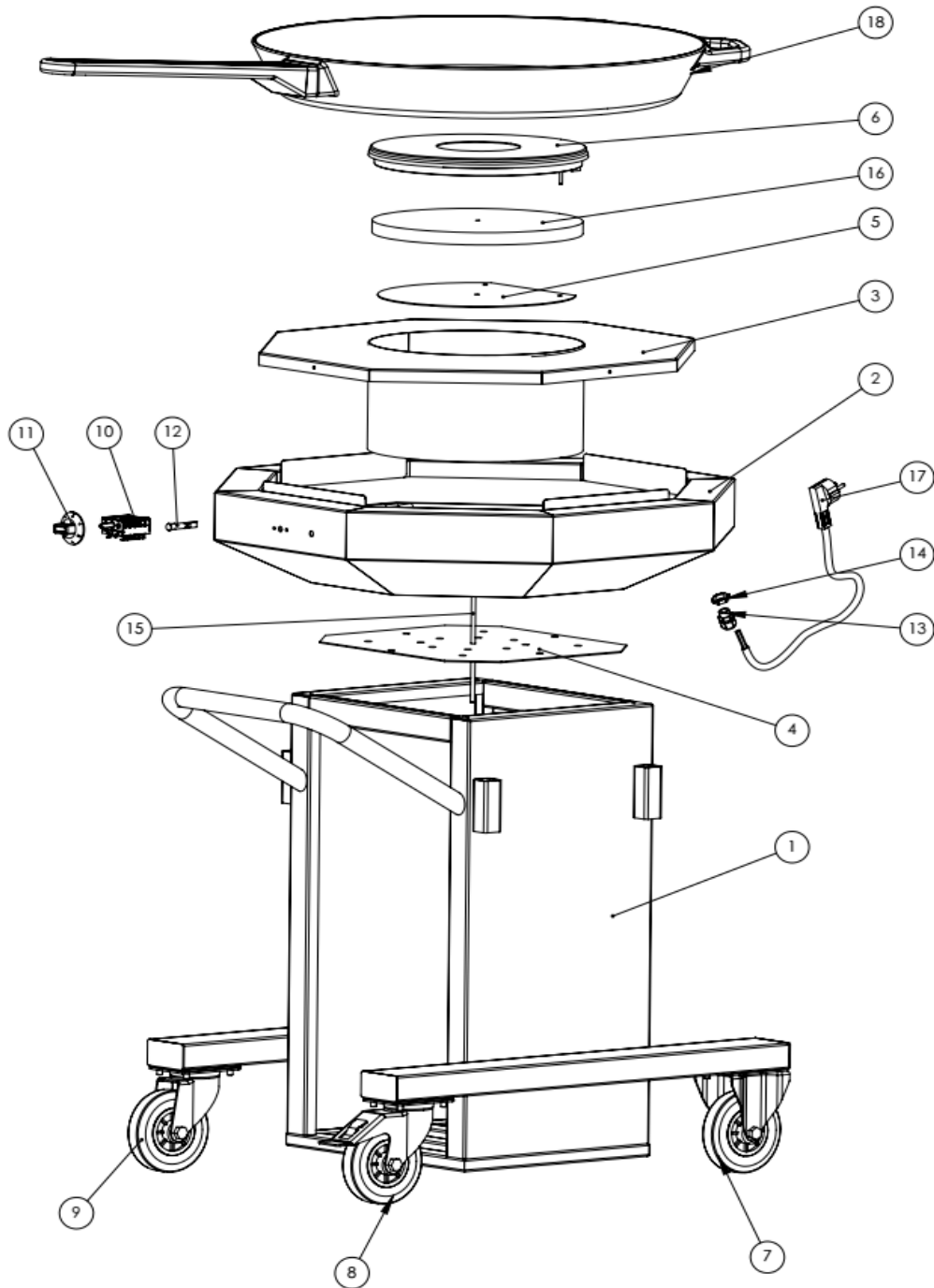
Rondo Electric

Date 20-06-2017


Revision #

Revision version

Revision First bill of materials (BOM)



Bill of materials (BOM)

 <div style="display: inline-block; vertical-align: middle;"> <h1 style="margin: 0;">GRAFEN</h1> <p style="margin: 0; font-weight: normal;">FUTURE EQUIPMENT</p> </div>	Batch #	Appliance part#
	160000 and up	700167
	Description	
Rondo Electric		

Date	20-06-2017	Revision #	Revision version
Revision	First bill of materials (BOM)		

Item	Description	Part#	Quantity	Remark	Picture
1	Frame	n/a	1		
2	Upper housing	n/a	1		
3	Inner housing	n/a	1		
4	Cover	n/a	1		
5	Isolation cover	n/a	1		
6	Hot plate 3500W (30cm)	930137	1		
7	Fixed wheel Ø125	937587	2		
8	Swivel wheel with brake Ø125	937600	1		
9	Swivel wheel Ø125	937594	1		
10	Cam switch (7P)	924020	1		
11	Knob	930144	1		
12	Indicator light yellow	201145	1		
13	Cord inlet	n/a	1		
14	Nut cord inlet	n/a	1		
15	Threaded rod M6	n/a	1		
16	Insulation	n/a	1		
17	Powerchord EU plug	205303	1	HO5VV-F3G1.5mm2	
18	Cast iron pan	629918	1		

n/a -> not available

nss -> not sold separately