

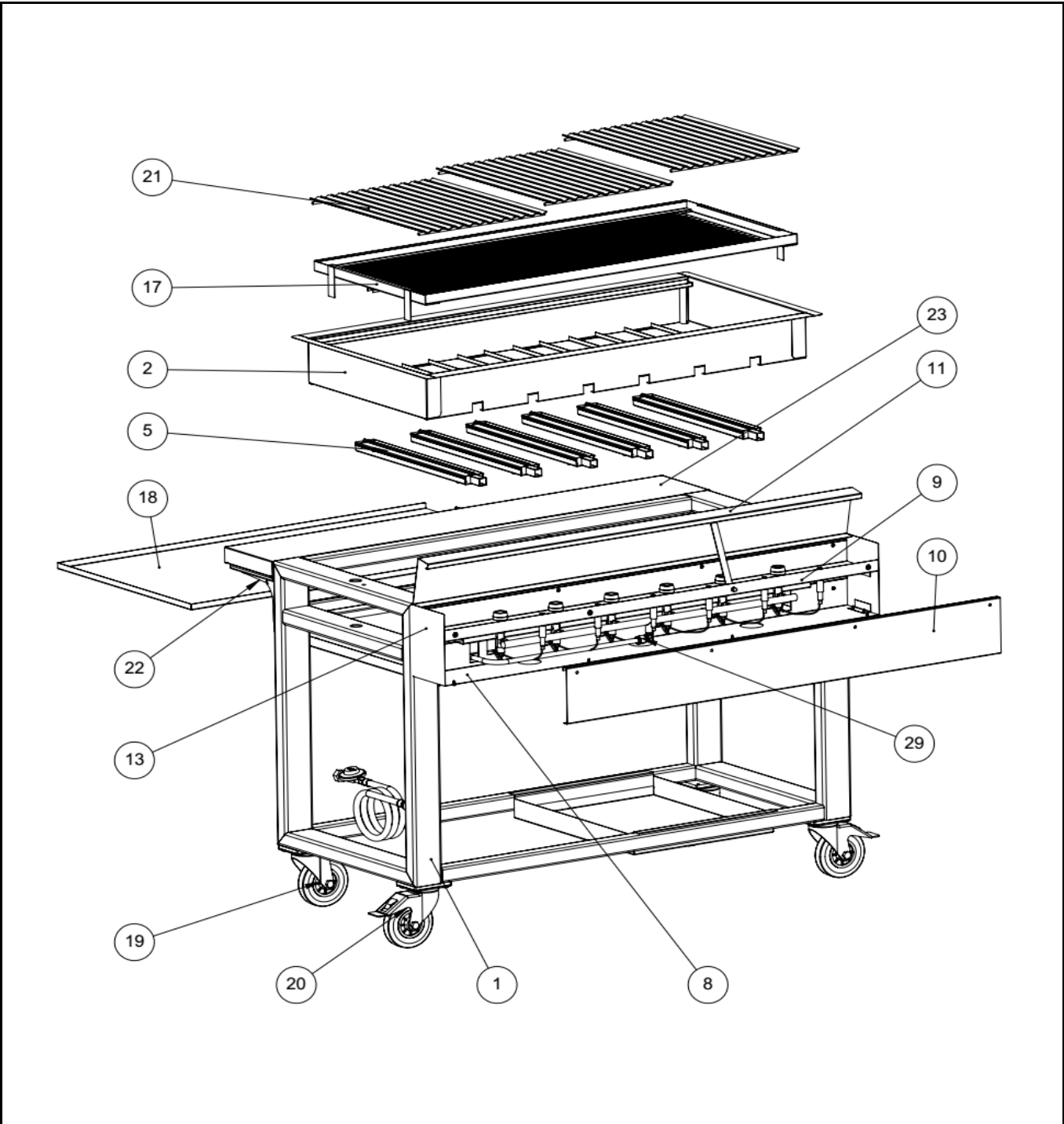
Drawing




GRAFEN
FUTURE EQUIPMENT

Batch #	Appliance part#
160000 and up	700082
Description	
Europa 6	

Date	21-06-2018	Revision #	Revision version
Revision	First bill of materials (BOM)		



Bill of materials (BOM)

 <div style="font-size: 2em; font-weight: bold; margin: 5px 0;">GRAFEN</div> <div style="font-weight: normal; margin: 0;">FUTURE EQUIPMENT</div>	Batch #	Appliance part#
	160000 and up	700082
	Description	
Europa 6		


Date	21-06-2018	Revision #	Revision version
Revision	First bill of materials (BOM)		

Item	Description	Part#	Quantity	Remark	Picture
1	Frame	n/a	1		
2	Inner frame	937082	1		
5	Burner	934142	6		
8	Bottom cover control panel	n/a	1		
9	Display control panel	n/a	1		
10	Front cover control panel	n/a	1		
11	Lid control panel	n/a	1		
13	Side cover control panel	n/a	2		
17	Flame diffuser	937037	1		
18	Heat shield	937730	1		
19	Swivel wheel Ø125	937594	2		
20	Swivel wheel with brake Ø125	937600	2		
21	Grid	937020	3		
22	Heavy duty hinge	937013	2		
23	Side table	937006	1		
39	Coupler (knee)	n/a	1		

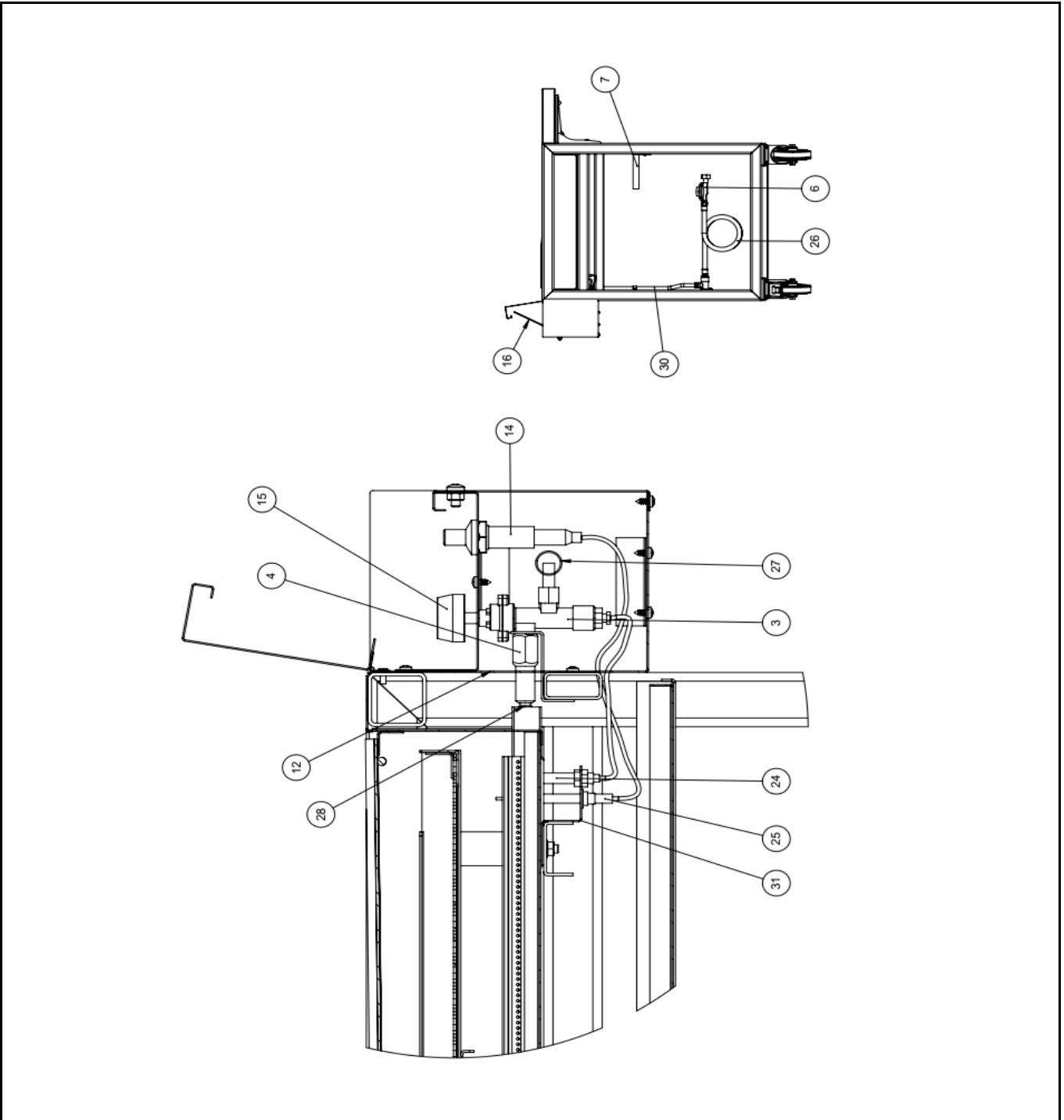
n/a -> not available

nss -> not sold separately


Drawing

 GRAFEN FUTURE EQUIPMENT	Batch #	Appliance part#
	160000 and up	700082
	Description	
	Europa 6	

Date	21-06-2018	Revision #	Revision version
Revision	First bill of materials (BOM)		



Bill of materials (BOM)

 <div style="display: inline-block; vertical-align: middle;"> <h1 style="margin: 0;">GRAFEN</h1> <p style="margin: 0; font-weight: normal;">FUTURE EQUIPMENT</p> </div>	Batch #	Appliance part#
	160000 and up	700082
	Description	
Europa 6		

Date	21-06-2018	Revision #	Revision version
Revision	First bill of materials (BOM)		

Item	Description	Part#	Quantity	Remark	Picture
3	Gas valve	935293	6		
4	Nozzle holder	937099	6		
6	Regulator	152157	1		
7	Drip tray Incl bracket	937570	1		
12	Heat shield	n/a	1		
14	Piezo igniter incl nut	153178	6		
15	Knob	152591	6		
16	Lid holder	n/a	1		
24	Thermocouple 320mm	152133	6		
25	Electrode with wiring	924082	6		
26	Gas hose assembly	147139	1		
27	Inlet pipe	937549	1		
28	Injector (0.80mm)	937464	6		
30	Gas pipe	n/a	1		
31	Holder thermocouple / electrode	n/a	6		

n/a -> not available

nss -> not sold separately